

High-Limit LED must be installed as shown (lower 4 pins)

12V Light (White 2-Pin)

**SYSTEM FUSE**

RED INDICATOR LIGHT

**HIGH-LIMIT**

RED INDICATOR LIGHT

**PUMP 1 FUSE**

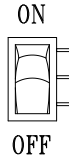
RED INDICATOR LIGHT

**PUMP 2 FUSE**

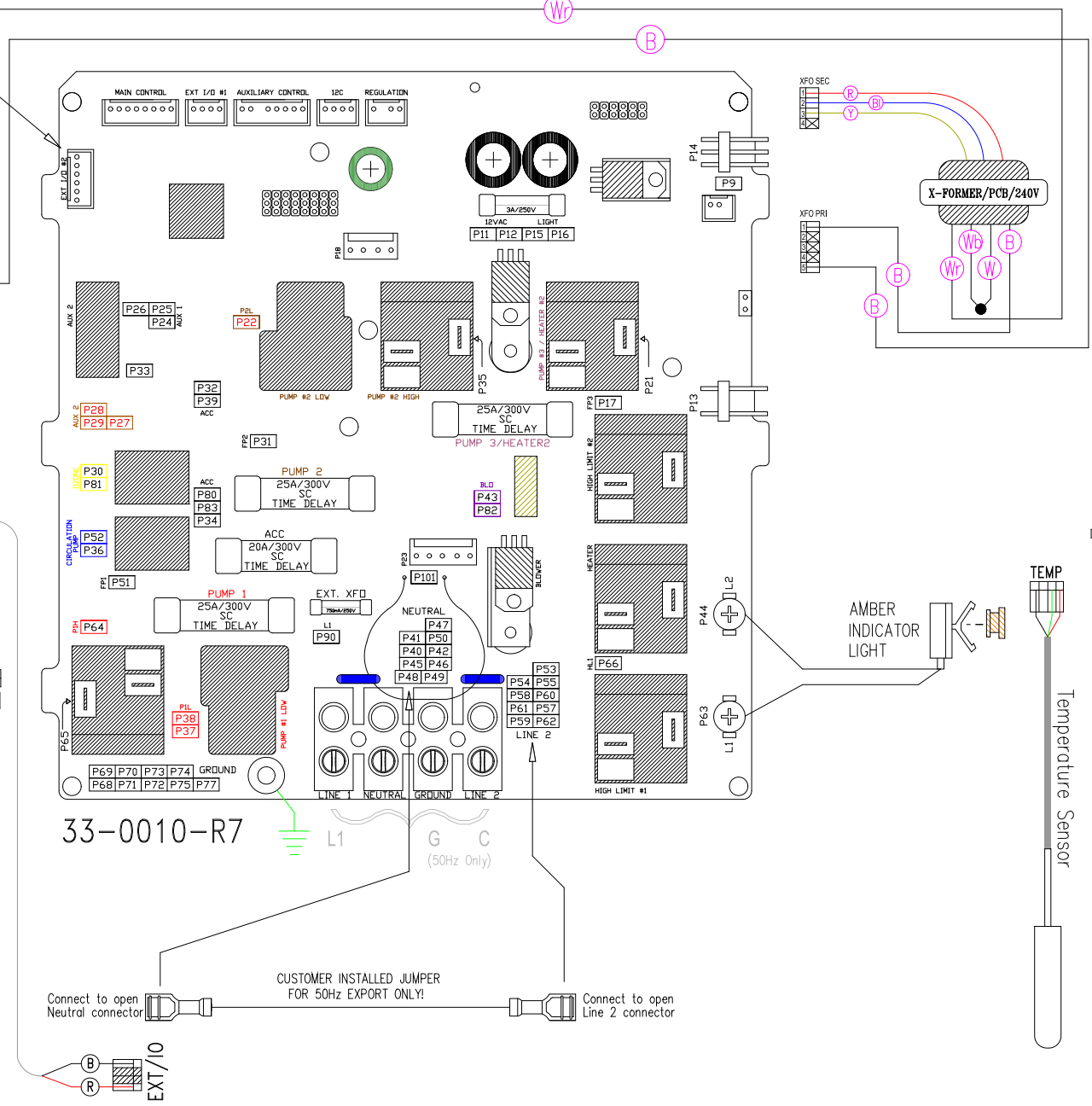
RED INDICATOR LIGHT

**AIR/CIRC/OZ FUSE**

RED INDICATOR LIGHT

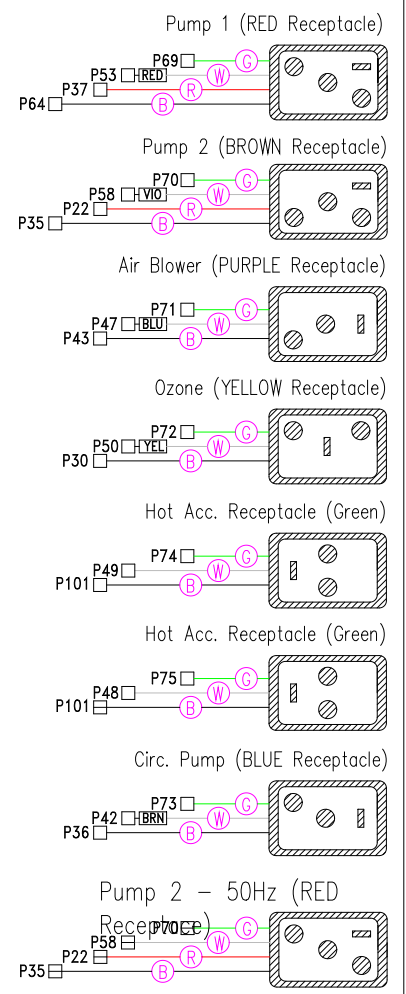


EXT./IO



33-0010-R7

Connect to open Neutral connector  
 CUSTOMER INSTALLED JUMPER FOR 50Hz EXPORT ONLY!  
 Connect to open Line 2 connector



TEMP  
 34-02010-76 - High-Limit Sensor - 76"

LEGEND	
	- 1/4" QUICK CONNECT
	- 1/4" PIGGYBACK
	- FORK CONNECTOR
	- RING CONNECTOR
	- SOCKET CONNECTOR
	- PIN CONNECTOR

**HYDRO-QUIP**  
 CORONA, CA (909) 273-7575

Manufacture Notes: EX: RED - DENOTES THE COLOR OF HEAT SHRINK USED.

Dwg. No. **C2S21A0-DKMPQY8-2**

Drawn BH  
 Date 07.19.05  
 Diagram No. **4426**

Wire Color Code	
B - Black	G - Green
Br - Brown	Bl - Blue
R - Red	V - Violet
O - Orange	W - White
Y - Yellow	Gr - Gray

A 50Hz jumper has been provided for quick conversion to 3-Wire, 240V for export models. Connecting this plug will result in the PCB Neutral becoming L2 (or Common). Hydro-Quip will not be held responsible for domestic mis-wire as a result of this connection.